

Specification:

Roof Hatch for No Pre-Existing Upstand / Mill Finish / Powder Coated Option Available
 Recommended Structural Opening X & Y + 10MM

This drawing is provided free of charge, the details/dimensions shown are subject to information provided to APC Ltd at the time the drawing was originally requested. As a result of this, no liability for errors in the details/dimensions shown and agreed can be accepted by APC Ltd except where APC Ltd is proven to be negligent. The drawing should therefore be approved by the customer or any third party downloading the drawing from the APC Ltd website and confirmed with APC Ltd that the information is still current to ensure it meets with their specific project requirements before use.

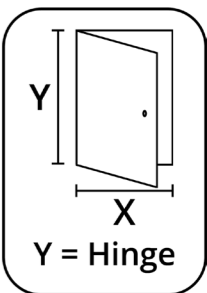
Unit 5 Atkinsons Way, Foxhills Industrial Park, Scunthorpe, DN15 8QJ
 01724 853090 sales@accesspanels.co.uk www.accesspanels.co.uk

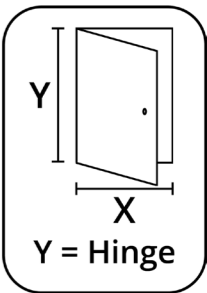
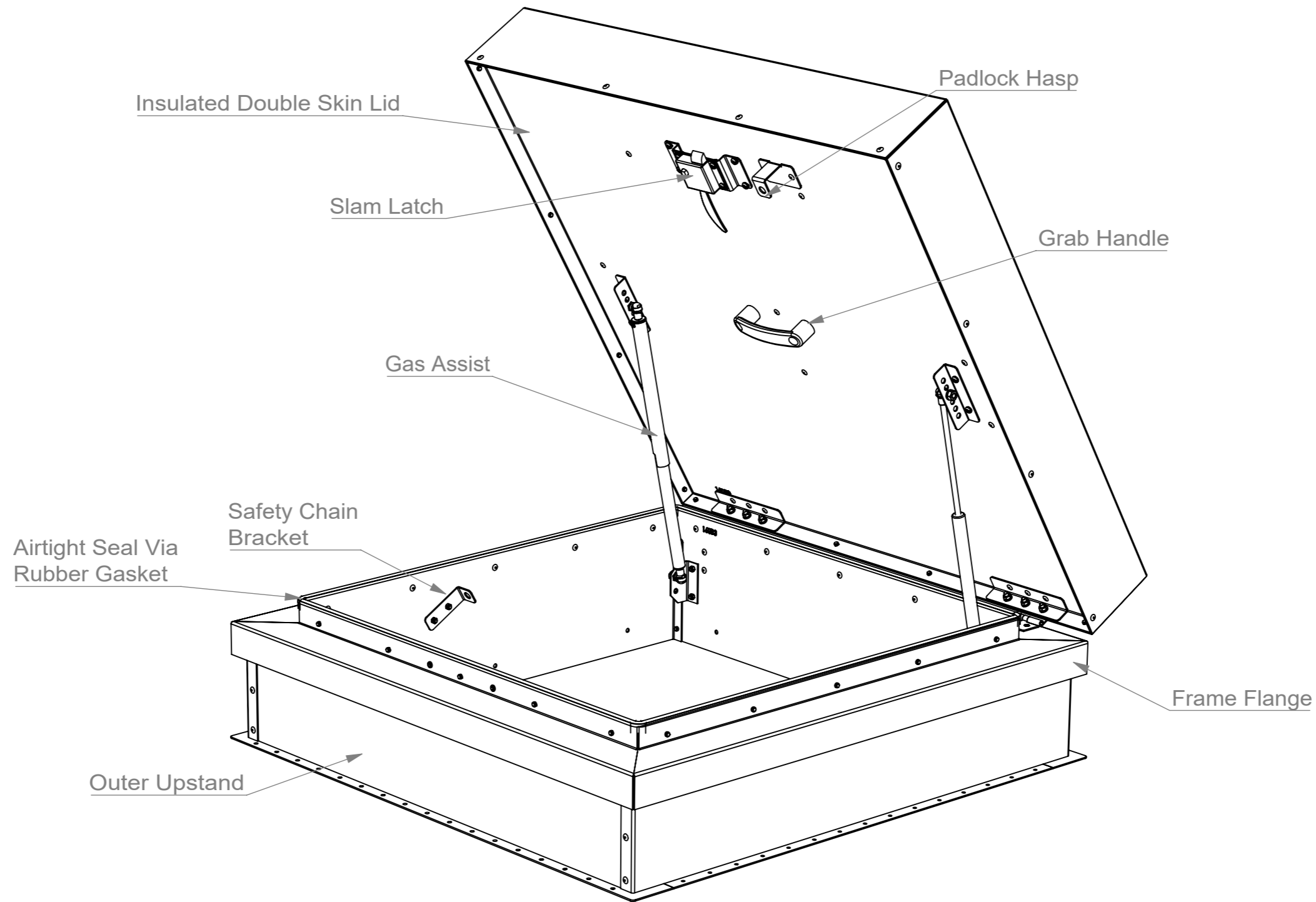


Simplis® Simplifying Interior Solutions

Title: Roof Hatch
 No Pre-Existing Upstand
 Range 16 (Generic Drawing)

Scale: 1:1.5 Date: 28/04/2023 Drawn: W.C. Dwg No.: 16MA_S--_0_MA Sheet 1 of 2 Rev: A





Specification:

Roof Hatch for No Pre-Existing Upstand / Mill Finish / Powder Coated Option Available
 Recommended Structural Opening X & Y + 10MM

This drawing is provided free of charge, the details/dimensions shown are subject to information provided to APC Ltd at the time the drawing was originally requested. As a result of this, no liability for errors in the details/dimensions shown and agreed can be accepted by APC Ltd except where APC Ltd is proven to be negligent. The drawing should therefore be approved by the customer or any third party downloading the drawing from the APC Ltd website and confirmed with APC Ltd that the information is still current to ensure it meets with their specific project requirements before use.

Unit 5 Atkinsons Way, Foxhills Industrial Park, Scunthorpe, DN15 8QJ
 01724 853090 sales@accesspanels.co.uk www.accesspanels.co.uk



THE ACCESS PANEL
 COMPANY LTD

Simplis® Simplifying Interior Solutions

Title: Roof Hatch
 No Pre-Existing Upstand
 Range 16 (Generic Drawing)

Scale: 1:1.5 Date: 28/04/2023 Drawn: W.C. Dwg No.: 16MA_S--_0_MA Sheet 2 of 2 Rev: A