

Alto Ceiling Hatches

For Larger Openings

Range 03-S91

Insulated and piano hinged doors where $Y > 900\text{mm}$



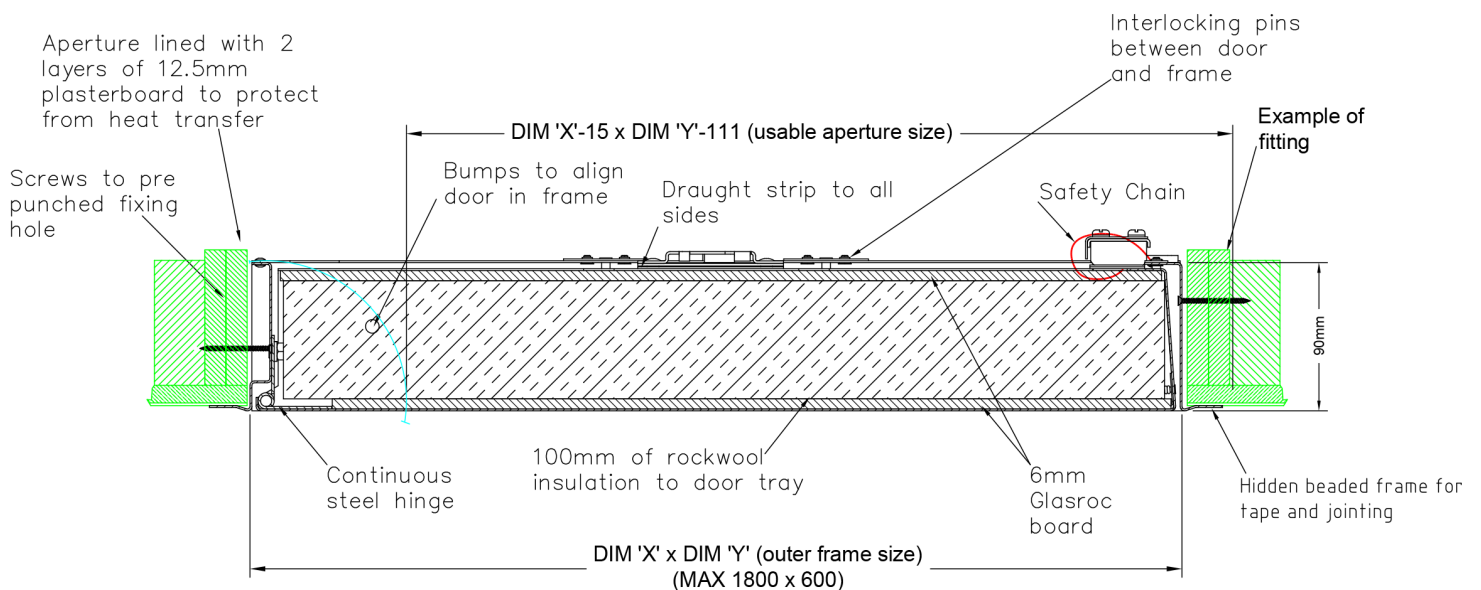
Key Features

- Minimalist look
- Can be painted over to blend into the surrounding surface
- Spring loaded invisible keyhole system
- Picture frame option
- Beaded frame option
- 2 hour fire rating
- Pre-punched fixing holes for simple installation

Alto Ceiling Hatches provides a high quality opening in ceilings for ease of access. Supplied as standard with our revolutionary, patented Spring Loaded Invisible Keyhole (SLIK) system, giving all the discrete advantages possible with an access panel. An extra long key can also be purchased separately for easy reach from the floor.

The door is finished in powder-coated white and can be painted over to blend with the surrounding surface. The Alto Ceiling Hatch are 2 hour fire rated.

There are two frame options for this panel. A Perforated Beaded Frame type with perforated flange to key into the surrounding membrane. This is used where the surface has yet to be skimmed or tape and jointed. Or the Picture Frame, where the solid flange sits on the surface of the wall or ceiling. This covers the cut edge of the aperture and is used when the surface has already been finished and decorated.



01724 853 090

sales@accesspanels.co.uk

www.accesspanels.co.uk

THE ACCESS PANEL
COMPANY LTD



Technical & Fitting Details

Door Tray & Frame

Formed from 1.0 and 1.2mm Zintec electrogalvanised mild steel with a 25mm wide picture or beaded frame finished in polyester powder coat white RAL 9010 20% Gloss.

Hinge & Lock Mechanism

Continuous steel hinge system. Square drive operated lock riveted to the return fold of the door tray with keyhole concealed by the patented SLIK invisible keyhole system. Euro cylinder, Radial Pin tumbler and three point lock option also available.

Fire Rating

Available with up to 2 hour fire rating. Fire testing undertaken independently by BM TRADA meeting both EN and BS standards in UKAS approved test laboratories. Certification available upon request.

Availability

Standard sizes available from stock with bespoke sizes to order. Please contact our technical sales team for more information.

Fitting

Prepare a clear trimmed and protected opening in the structure 5mm larger than the ordered panel. Piano hinged versions require greater clearance to the hinged side depending on the panel size. Contact us for details

Screw fix using suitable screws through the countersunk pre-punched holes to all four sides of the frame to all fixing points. Complete the operation with door in frame. Do not remove the door from the frame. Piano hinged doors can be removed from the frames for fitting. When refitting ensure the piano hinge nuts are tight.

Insulation

Thermally insulated with 100mm of high performance Rockwool insulation equating to 0.35W/m³k U Value.

Acoustic Rating

Available to a maximum reduction of 63 dB Rw. Testing carried out under laboratory conditions to BS EN ISO140-3:1995 by an independent test centre. More information available upon request.

Online Support

See website for fitting guides and videos. DXF, DWG, CAD, PDF, BIM cross-section drawings and full technical specifications.

Operation & Maintenance

Using the "T" key supplied push the SLIK invisible keyhole system aside, engage the key into the locks then open and close while supporting the door. The SLIK system springs back automatically to conceal the keyhole.

Avoid abrasive cleaning materials. Annually or more frequently if used very regularly check the operation, especially the hinge points and lock. Tighten or oil as required.

