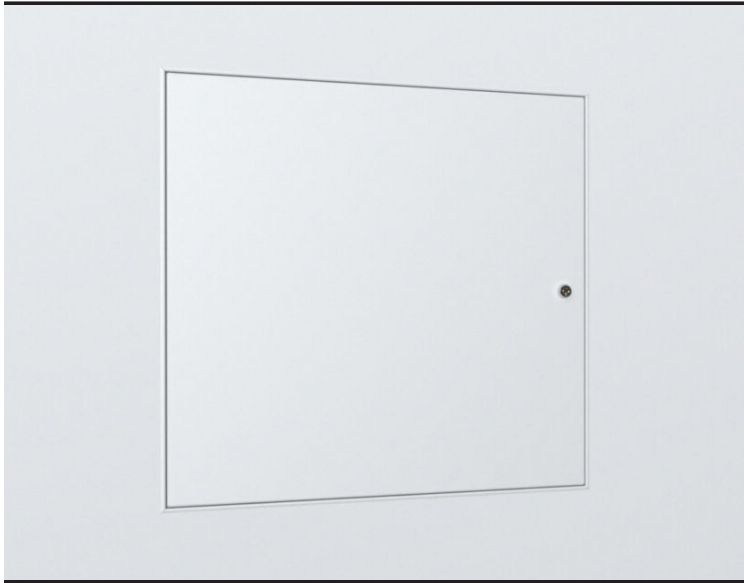


Anti-Ligature Access Panels

Walls

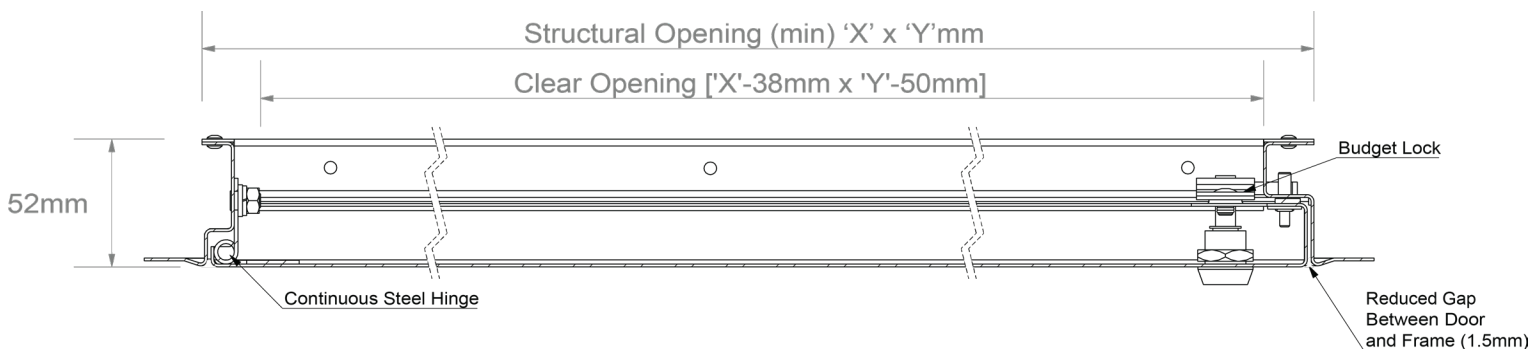


Key Features

- Unique concealed piano hinge design
- Reduced gaps between door and frame
- Available fire rated and smoke sealed
- 35-42dB acoustic reduction as standard
- Reduced 10mm fully welded picture frame or beaded frame option
- Sealed anti-ligature radial pin tumbler lock as standard

Anti-Ligature Access Panels provide high-quality openings in walls and ceilings for access to building engineering services. The doors are finished in powder-coated white and can be over-painted to blend with the surrounding surface. The panel has a full-length piano hinge and is fitted with a sealed radial pin tumbler lock with **no opportunity for a ligature point**. Openings and front-facing holes have been removed to further reduce the opportunity for ligature points.

The panel can be specified with **insulation, fire rating, acoustic reduction**, and an alternative **Euro-Cylinder** locking mechanism. There are two **frame options** for the **Anti-Ligature Access Panel**. A **beaded frame** type with perforated flange to key into the surrounding membrane. This is used where the surface has yet to be **skimmed or taped and jointed**. Or the **picture frame**, where a reduced flange sits on the surface of the wall or ceiling. This covers the cut edge of the aperture and is used when the surface has already been finished and decorated. This can be used in lower-risk environments.



Contact us for a factory tour or to arrange an on site demonstration





Door Tray & Frame

Formed from **1.0 and 1.2mm Zintec electro-galvanised mild steel** with a **10mm** wide frame either perforated or solid finished in **polyester powder coat white (RAL 9010 20% Gloss)** as standard, other RAL colours and finishes available upon request.

Hinge & Lock Mechanism

Factory fitted concealed piano hinge. **Radial Pin Tumbler** lock supplied as standard.

Fire Rating

Available with **up to 2 hour** fire rating. Fire testing undertaken independently meeting both **EN and BS standards** in **UKAS approved test laboratories**. Certification available upon request.

Availability

Anti-Ligature Access Panel are **manufactured to order**. Bespoke designs available. For current lead times please call or email a member of our technical team.

Fitting

Screw fix using **50mm** drywall steel screws through the **pre-punched holes** to all four sides of the frame. Use all fixing holes. Finish with scrim tape.

Availability

Bespoke sizes available, call for lead times.

Online Support

Website offers **fitting guides** and **videos**. **DXF, DWG, CAD, PDF, BIM cross-section drawings**, and full technical specifications.

Operations & Maintenance

Use the **RPT key** supplied to engage the lock, ensuring you push forward as you turn the key. Tighten or oil as required.

Standard Sizes		
200 x 200	300 x 300	450 x 450
600 x 600	900 x 600	

Contact us for a factory tour or to arrange an on site demonstration

