

Premium EN Metal Door Access Panel

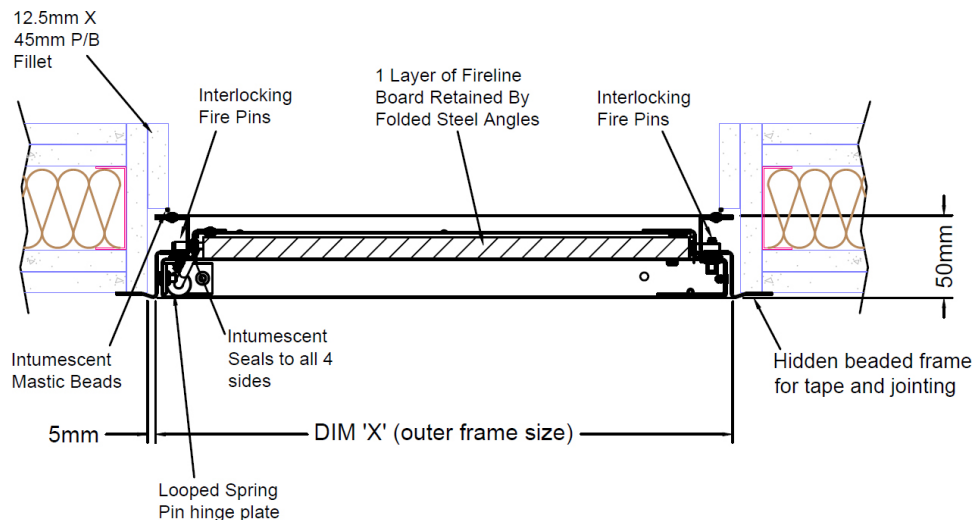


Key Features

- Over paint or powder coated finish
- Spring loaded pivot hinge design
- Available fire rated in walls to large sizes
- Acoustic rated
- Picture frame option
- Beaded frame option
- Spring Loaded Invisible Keyhole (SLIK)

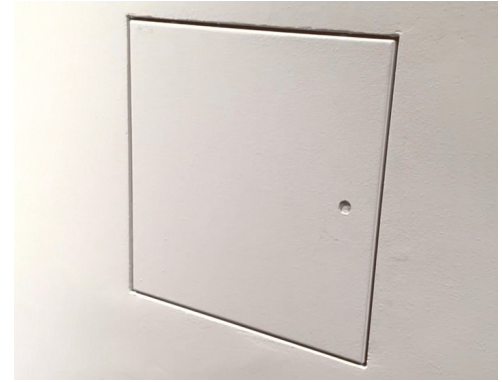
Premium EN Metal Door Access Panels provide **high quality openings** in ceilings and walls for access to **building engineering services**. Supplied as standard with our revolutionary patented **Spring Loaded Invisible Keyhole (SLIK)** system, giving your client all the **discreet advantages** possible with an access panel. The doors are finished in **powder-coated white** and **can be over painted** to blend with the surrounding surface. Now with our revolutionary **spring loaded pivot hinge** for **simple removal and re-attaching of the door**.

The **Premium EN Metal Door Access Panel** has the versatility to be **specified with insulation, fire rating, acoustic reduction** and a range of **locking mechanisms**. There are two frame options for the **Premium EN Access Panel**. A **beaded frame** type with **perforated flange** to key into the **surrounding membrane**. This is used where the surface has yet to be skimmed or taped and jointed. Or the **picture frame**, where the **solid flange** sits on the surface of the wall or ceiling. This covers the **cut edge of the aperture** and is used when the surface has already been finished and decorated.



Contact us for a factory tour or to arrange an on site demonstration





Door Tray & Frame

Formed from **1.0 and 1.2mm Zintec electro-galvanised mild steel** with a **25mm wide picture frame or beaded frame** finished in **polyester powder coat white (RAL 9010 20% Gloss)**.

Hinge & Lock Mechanism

Factory fitted spring loaded pivot hinges. Square drive operated lock riveted to the return fold of the door tray with keyhole concealed by the patented **Spring Loaded Invisible Keyhole (SLIK) system**.

Fire Rating

Available with **up to 1 hour or 2 hours fire rating**. Fire testing undertaken independently meeting both **EN and BS standards** in **UKAS approved test laboratories**. Certification available upon request.

Air Tightness

Thermally insulated and **air-sealed** ranges available, complying to **building regulations** parts **L1** and **L2**, **BS EN 12207:2000 BS EN 1026:2000**. See **Premium Range Access Panels** and **Loft hatches**.

Acoustic Rating

Available to a maximum reduction of **38 dB Rw**. Testing carried out under laboratory conditions to **BS EN ISO140-3:1995** by an **independent test centre**.

Availability

These panels are made to order. Bespoke sizes available. Please call our **Technical Sales Team** to confirm stock and availability.

Fitting

Prepare a **clear trimmed and protected opening** in the structure **5mm larger** than the ordered panel.

Screw fix using **50mm** drywall steel screws through the **pre-punched holes** to all four sides of the frame. Use all fixing holes provided. Face fix through the flange fixing holes in the **beaded frame** type. Finish the **beaded frame** with scrim tape in the same way as any plaster stop bead. To **maintain** even gaps between door and frame, complete the operation with the door in frame where possible.

To remove the door from the frame, whilst holding the door retract the pivot hinge using the finger ring pull mechanism. The door will lift out.

To refit and after installation ensure the pivot hinge is fully installed back into the socket in the frame. Replace retaining chains in the ceiling

Online Support

See website for **fitting guides** and **videos**. **DXF, DWG, CAD, PDF, BIM cross-section drawings** and full technical specifications.

Operation & Maintenance

Using the **'T'-key** supplied push the **Spring Loaded Invisible Keyhole (SLIK) system** aside, engage the key into the lock mechanism, and open while supporting the door. The **SLIK system** springs back automatically to **conceal the keyhole**.

Avoid **abrasive cleaning materials**. Check the operation annually, especially the hinge points and lock, or more frequently if used very regularly. Tighten or oil as required.

Contact us for a factory tour or to arrange an on site demonstration

