

Roof Hatches

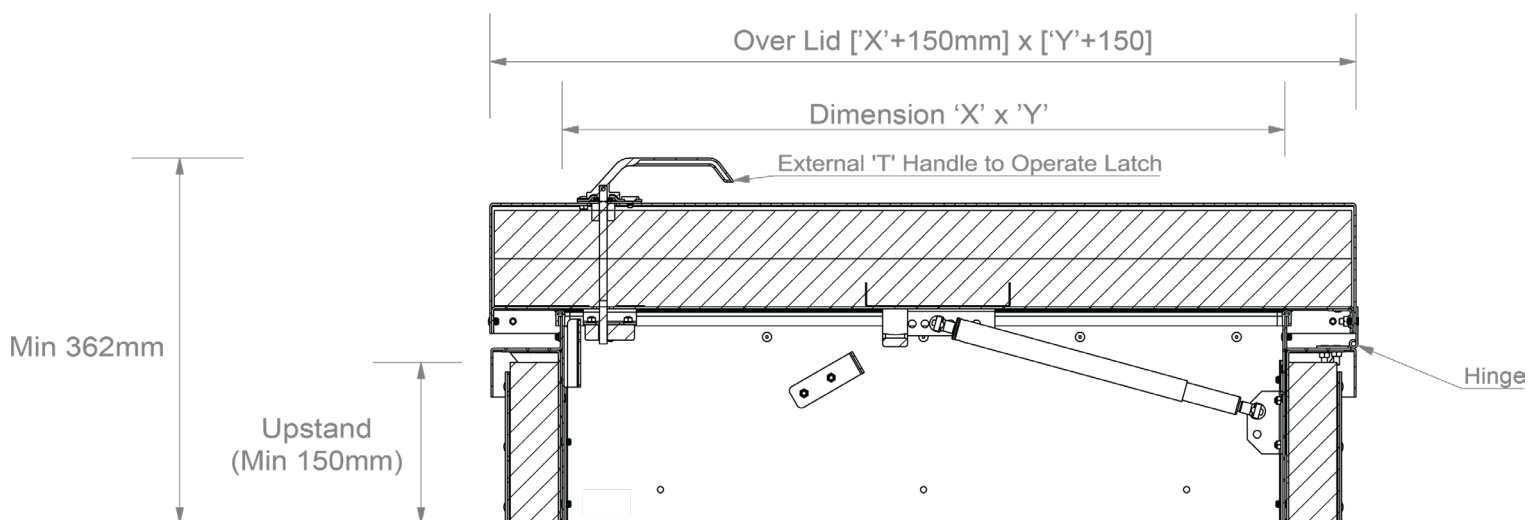


Key Features

- Suitable for flat and pitched roofs up to 30°
- Supplied as standard with upstand but can be manufactured to fit an existing upstand
- Manufactured from aluminium
- Stainless steel options available
- Factory fitted slam latch for opening/closing with Hasp for securing with suitable padlock
- Available in mill finish or powder coated

Simplis® has been designing and manufacturing roof hatches for **over 20 years**. We offer a wide range of hatches, from compact models for maintenance and inspection to larger units that provide access to machinery and equipment in industrial buildings.

All of our hatches are designed to be easily lifted into position, securely screwed down, and weathered. They are available with integrated upstands or can be fitted over existing kerbs. **No site assembly is required**, only the addition of a padlock once installation is complete.



Contact us for a factory tour or to arrange an on site demonstration





Door Tray & Frame

Formed from **2.0mm aluminium** with fabricated **2.0mm stainless steel fittings**. All exposed parts **stainless steel** including nuts, washers, bolts, and rivets. Supplied natural industrial aluminum finish or polyester powder coated to any RAL colour.

Hinge & Lock Mechanism

All **stainless steel** components **316 grade** including multiple hinges, internal latches, outer handles and gas strut bracketry. Gas struts guaranteed for **12 months** with brass fittings and steel bodies

Fitting

Prepare a **clear trimmed and protected opening** in the roof structure.

Screw fix using suitable screws through the **pre-punched holes** to all four sides of the frame to the roof deck. Complete the operation with the unit as a complete assembled part.

Weather the upstand to the deck using accepted industry procedure for the roof membrane system being applied. To remove door from frame and return from upstand please see our fully detailed installation instruction leaflets.

Operation

Outside in: Turn stainless steel handle and lift the lid. The gas struts will hold the door open.

Inside out: Turn the stainless steel handle and push the lid upwards. The gas struts will hold the door open. Although the gas struts assist with opening and closing, always hold the door during use to control the opening speed, especially in strong wind conditions. When closing, do not allow the door to slam shut.

Maintenance

Avoid **abrasive cleaning materials**. Check the operation annually, especially the hinge points and lock, or more frequently if used very regularly. Over time the gas struts may deplete so these need checking before every use where they are being relied on to hold the hatch open. Tighten or oil as required.

Online Support

See website for **fitting guides** and **videos**. **DXF, DWG, CAD, PDF, BIM cross-section drawings** and full technical specifications.

Standard Sizes		
750 x 750	900 x 750	900 x 900
1200 x 900		

Contact us for a factory tour or to arrange an on site demonstration

